



***Introducing the ADL iD8-L Lightning Cable
For The Best Performance You Can Buy!***



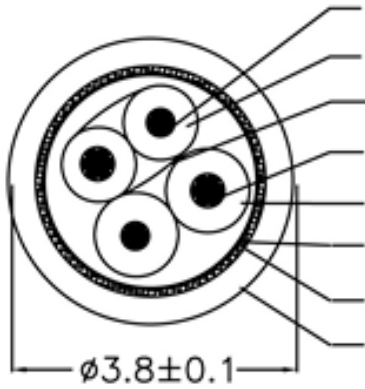
ADL (Alpha Design Labs) uses Furutech's Pure Transmission Technology to create high-value, innovative designs that everyone can afford. And in the age of personal, portable electronics everyone carries their music with them and for connection to New Lightning Cable capable idevices there's no better sounding cables than the iD8-L series to make that important connection you need.



Not Just Another Pretty Face

The iD8-L is no ordinary cable; it's engineered and produced with Furutech's Pure Transmission technology and features silver-plated α (Alpha) OCC conductor (28AWG) for minimal transmission loss and 24k gold-plated USB A-type right angle connector. The cable achieves top-grade noise isolation using three-layers shielding – two aluminum foil and tinned copper braiding – in a RoHS-compliant sheath. The main conductors are treated with Furutech's α (Alpha) Process – a deep cryogenic and demagnetizing treatment. The result is outstanding, wideband, colorful and engaging sound that audiophiles and music lovers will love.

Construction



- (1) Conductor 1: 7/0.127 Silver Plated α Alpha OCC (SYNC)
- (2) Insulation 1: Special grade HDPE Green / White, $\phi 0.72 \pm 0.05$ mm
- (3) Shield 1: Al foil face out
- (4) Conductor 2: 19/0.127 Silver Plated α Alpha OCC (Power)
- (5) Insulation 2: RoHS Compliant 105°C Flexible PVC Red / Black, $\phi 1.0 \pm 0.05$ mm
- (6) Shield 2: Al foil face out
- (7) Shield 3: 16/6/0.07 α Alpha tinned copper wire braiding
- (8) Outer Sheath: RoHS Compliant Flexible PVC

Cable construction

Consumers enjoy the best sound around while looking – and sounding – as hip as they come!

Apple Lightning right angle -to-USB A right angle:

iD8-L 0.10M Cable length: 10cm (3.9in)

iPod, iPhone, iPad are trademarks of Apple Inc.

ADL product enquiries email: service@adl-av.com

Furutech Co., Ltd. Tokyo Japan

www.adl-av.com